



Mini multi-channel flat jet nozzles for air Series 600.382.35

Series 600.382.35

The mini multi-channel flat jet nozzles of the 600.382 series generate a narrow, powerful air jet. Very accurate and economical operation is possible thanks to the narrow orifice.



Cost savings

15 %



Noise reduction

12 %



Materials

Brass nickel plated,
PVC



Blowing force

2.3 N at 2 bar



Noise level

77.5 db(A) at 2 bar



Air consumption

$V_{LN}=15 \text{ m}^3/\text{h}$ at 2 bar



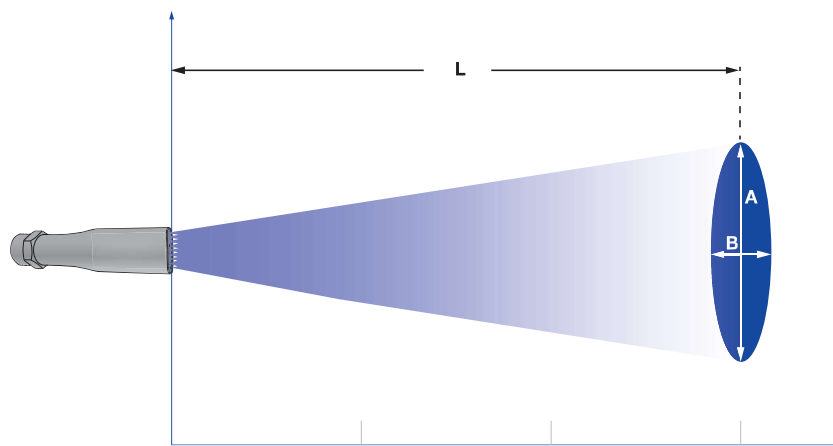
Pressure

$p_{max}=10 \text{ bar}$



Max. temperature

50 °C

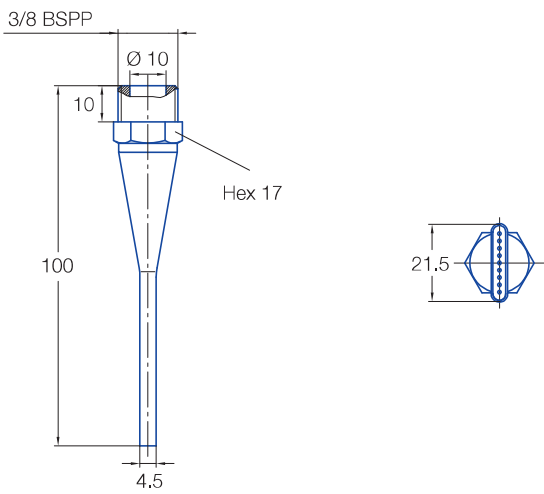


Jet pattern of 600.382.35 nozzle series

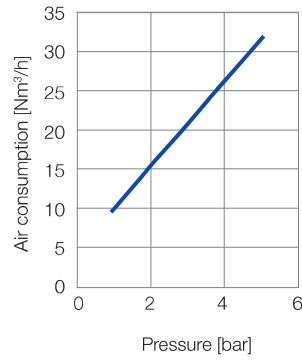
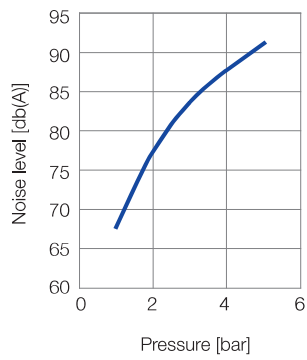
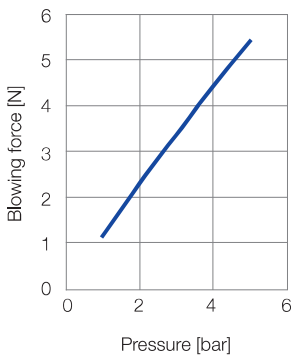
Pressure:	1 bar	3 bar	5 bar
Distance L [mm]:	475	825	900

Jet dimensions at L

A [mm]:	110	170	200
B [mm]:	85	140	180



Technical data



Ordering no.		
Type	Mat. no.	Code
	35	
	Brass nickel plated/ PVC	
		3/8 BSPP
600.382.35.AE	○	AE

Example of ordering: Type + Mat. no. + Code = Ordering no.
 600.382. + 35 + AE = 600.382.35.AE